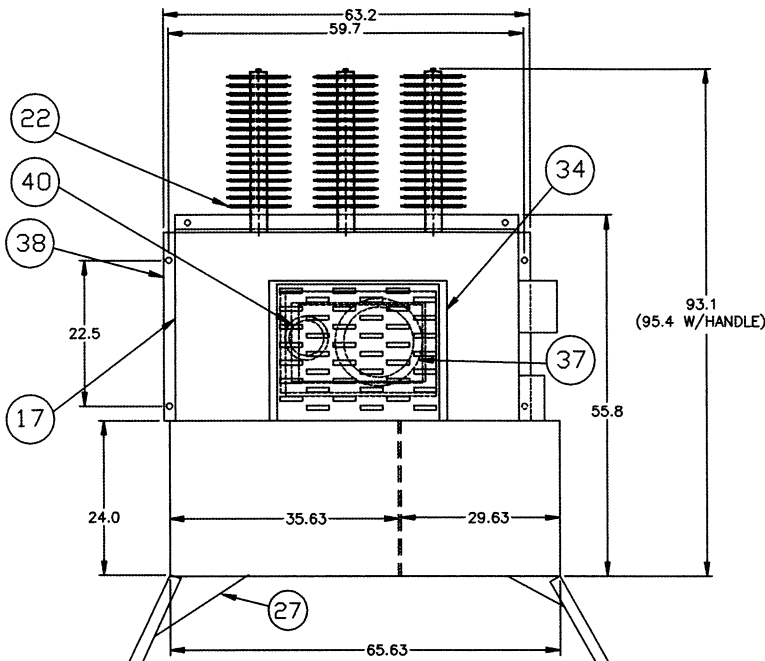


© ALL RIGHTS RESERVED. PROPERTY OF WEG TRANSFORMER USA. UNAUTHORIZED DUPLICATION PROHIBITED.

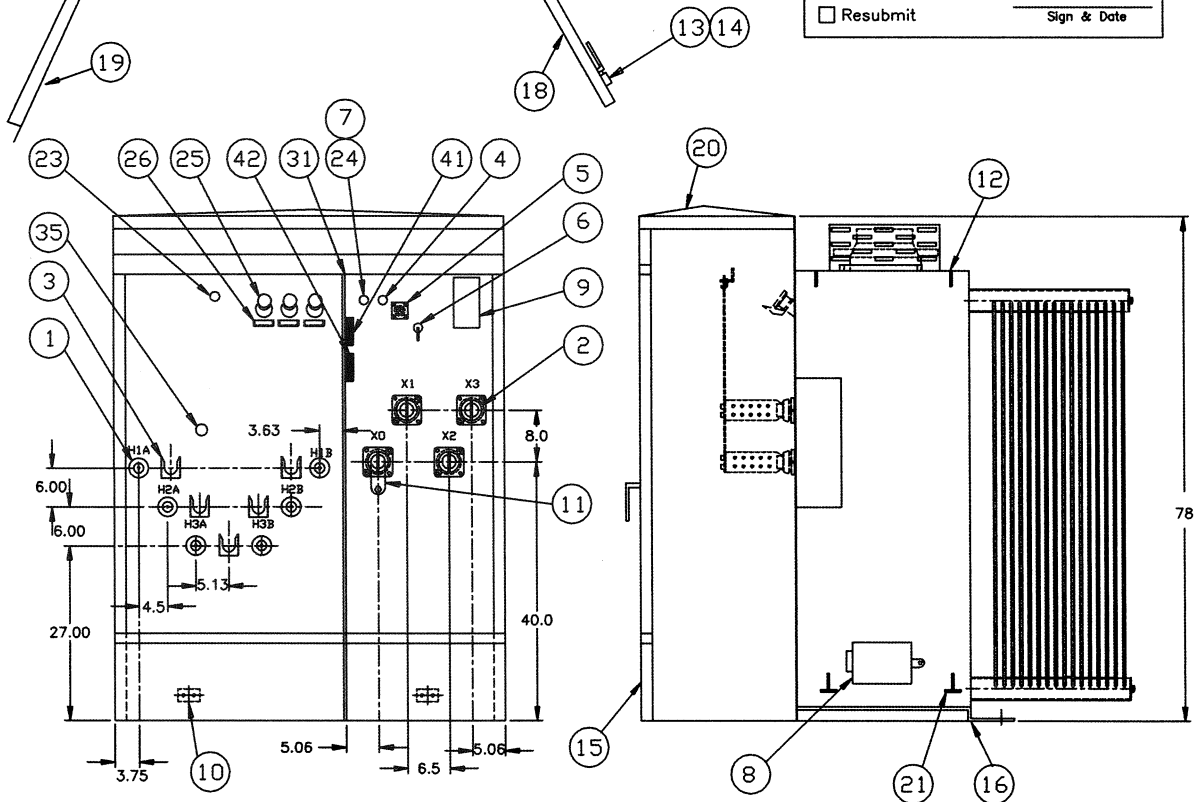


S.O.# 496909912-020  
 KVA= 1500  
 H.V.= 11000 DELTA  
 L.V.= 400Y/231  
 GAL. OIL = 375  
 TOTAL WT. = 9649

NOTES:  
 STAINLESS STEEL TANK,  
 STAINLESS STEEL CABINET,  
 STAINLESS STEEL EXTERIOR  
 HARDWARE  
 AND STAINLESS STEEL NAMEPLATE

EXPORT CRATING

Approval Block	
<input type="checkbox"/>	Approved as Submitted
<input type="checkbox"/>	Approved as Noted
<input type="checkbox"/>	Resubmit
Sign & Date _____	



	NAME: LOOP FEED TRANSFORMER OUTLINE			
	MAT'L: -----			
WASHINGTON, MO 63090, USA	DATE: 08/03/18	PART NUMBER: LF06338A	REV: 000	
DECIMAL ± .032	ANGULAR ± 2'	FRACTIONAL ± 1/32	SCALE NTS	TOLERANCES (except as noted) ± .032
DRAWN BY: SIR			APPROVED TM	

ALL ITEMS MARKED "☒" ARE INCLUDED


ITEM NO.	DESCRIPTION	ITEM NO.	DESCRIPTION
1	☒ High Voltage Bushings	20	☒ Domed And Raised Air Compartment Top
	☒ Wells W/Removable Stud (COOPER 2638372C02R)	21	☒ Jacking Provisions
	☒ Inserts (T&B 1601-A4)	22	☒ Galvanized Radiators (Unpainted)
2	☒ Low Voltage Bushings (HJ)	23	☒ Tap Changer
	☒ 10 Hole "J" Spades, Supported		☒ "B" Taps +5% +2.5% -2.5% -5%
3	☒ Parking Stands	24	☒ Pressure Vacuum Gauge W/Schrader Valve (VIAT 131)
4	☒ Pressure Relief Valve (VIAT 302-060-01N)	25	☒ Bayonet Fuse Holder W/Flapper Valve
5	☒ Liquid Level Gauge (VIAT 805.6)		☒ Dual Sensing Fuse 125A (COOPER 4038361C05CB)
6	☒ Liquid Temperature Gauge W/Contacts 2 Sets(QUAL. 165-205-01)		26
7	☒ Oil Fill Plug	27	☒ Door Holding Bars 90°&110° Open
	☒ Oil Drain Plug		☒ Position 3/8" Diameter SST. 18" On
8	☒ Oil Drain Valve And Sampler	28	☒ Primary Door. 14" On Secondary.
	☒ In Padlockable Box (HJ ENT)		☒ Internal Under Oil Current Limiting Fuses
9	☒ Nameplate	29	☒ 17.2KV 125A (HITECH HTSS242125 x 2)
10	☒ 2-Hole Ground Pads	30	☒ Paint Green (Munsell 7.OGY 3.29/1.5)
11	☒ Low Voltage Ground Strap	31	☒ Isolated Core Ground (Accessible From Handhole)
12	☒ Provision For Lifting	32	☒ High - Low Barrier Steel
	☒ Padlock Facility And Door Bolt	33	☒ Stainless Steel Hinges
	☒ Pentahead Bolt	34	☒ All Bushings Are Externally Clamped
13	☒ Hexhead Bolt	35	☒ 14" x 24" Handhole
	☒ Low Voltage Door Handle	36	☒ 2-Position Switch (C.M. 703436-60)
14	☒ Removable Lower Front Sill	37	☒ Door Gaskets/Dust Seals
15	☒ Base Arrangement For Rolling In Two Directions		☒ Cover Mounted Pressure Relief Device
16	☒ Transformer Tank	38	☒ W/Contacts(VIAT 3051001)
17	☒ Low Voltage Compartment Door	39	☒ Hold Down Brackets With 1.125" Holes
18	☒ High Voltage Compartment Door	40	☒ Static Shield (Accessible Internally Thru Handhole)
		41	☒ Rapid Rise Relay (QUAL. 910-010-03)
		42	☒ Seal-In Panel (QUAL. 909-300-01)
		43	☒ Terminal Block For Gauges
			☒ Spray Can Of Touch-Up Paint

© ALL RIGHTS RESERVED. PROPERTY OF WEG. UNAUTHORIZED DUPLICATION PROHIBITED.

Approval Block

Approved as Submitted  
 Approved as Noted  
 Resubmit

\_\_\_\_\_  
Sign & Date

	NAME: LOOP FEED TRANSFORMER OUTLINE		
	MATERIAL: -----		
WASHINGTON, MO 63090, USA	DATE: 08/03/18	PART NUMBER: LF06338D	REV: 000
DECIMAL ± .032	ANGULAR ± 2'	FRACTIONAL ± 1/32	SCALE NTS
TOLERANCES (except as noted) ± .032		DRAWN BY: SIR	APPROVED TM

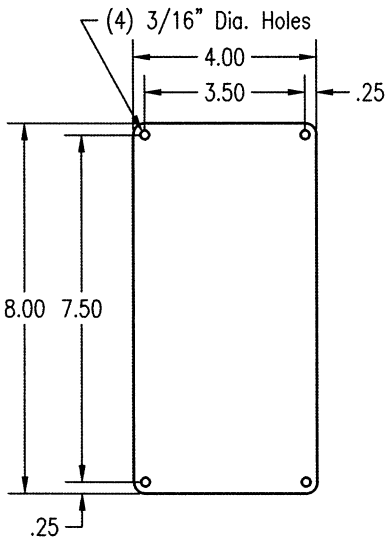
© ALL RIGHTS RESERVED. PROPERTY OF WEG TRANSFORMER USA. UNAUTHORIZED DUPLICATION PROHIBITED.

S.O.#496909912-2

S.N.:20111873214

\*=ACTUAL TESTED VALUE

Approval Block	
<input type="checkbox"/>	Approved as Submitted
<input type="checkbox"/>	Approved as Noted
<input type="checkbox"/>	Resubmit
	Sign & Date _____



MATERIAL: STN. STL.  
 (4).1875" DIA. MTG.  
 HOLES ON CENTERLINE  
 3.5" x 7.5" APART.  
 SIZE OF PLATE 4.0"  
 x 8.0" WITH .25"  
 CORNER RADIUS.

50 HZ

Dyn11



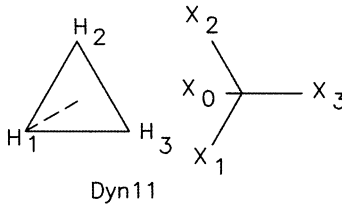
MANUFACTURED IN WASHINGTON MO 63090 USA  
 THREE PHASE TRANSFORMER 65°C RISE 50 HZ. CLASS ONAN TYPE II OIL  
 1500 kVA HV (AL) 11000 DELTA  
 LV (AL) 400Y/231

S/N  
 MODEL MB150110BE40S002

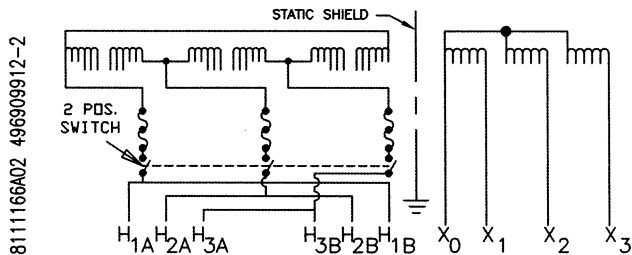
CORE & COIL (UNTANKING) 4199 LBS  
 TANK & FITTINGS 2672 LBS  
 LIQUID 375 GALS 2778 LBS  
 TOTAL 9649 LBS  
 DATE OF MFG. ---

SWITCH POSITION	RATED VOLTAGE	RATED CURRENT
A OR 1	11550	75.0
B OR 2	11275	76.8
C OR 3	11000	78.7
D OR 4	10725	80.8
E OR 5	10450	82.9

H.V.BIL. 95 K.V.  
 L.V.BIL. 30 K.V.



LIQUID CONTAINS LESS THAN 1 PPM PCB AT TIME OF MANUFACTURE  
 25°C LIQUID LEVEL IS 6 IN BELOW TOP OF HANDHOLE FLANGE.  
 LIQUID LEVEL CHANGES 0.5 IN PER 10°C CHANGE IN LIQUID TEMPERATURE.  
 OPERATING PRESSURES OF LIQUID PRESERVATION SYSTEM ARE 7 PSIG MAX  
 AND -2 PSIG MIN. TANK IS DESIGNED FOR 3 PSIG VACUUM FILLING.  
 REFER TO INSTRUCTION BOOK NO. 7-8102



NOT FOR USE IN THE UNITED STATES  
 TRANSFORMER FOR STEP-UP OPERATION

	NAME: D-Y NAMEPLATE		
	MATERIAL: 38018693A01 (STAINLESS STEEL)		
WASHINGTON, MO 63090, USA	DATE: 8-3-18	PART NUMBER: 38111166A02UL	REV: 000
DECIMAL ± .032	ANGULAR ± 2'	FRACTIONAL ± 1/32	SCALE 1:1
TOLERANCES (except as noted) ± .032		DRAWN BY: TM	APPROVED: KW